

6

5

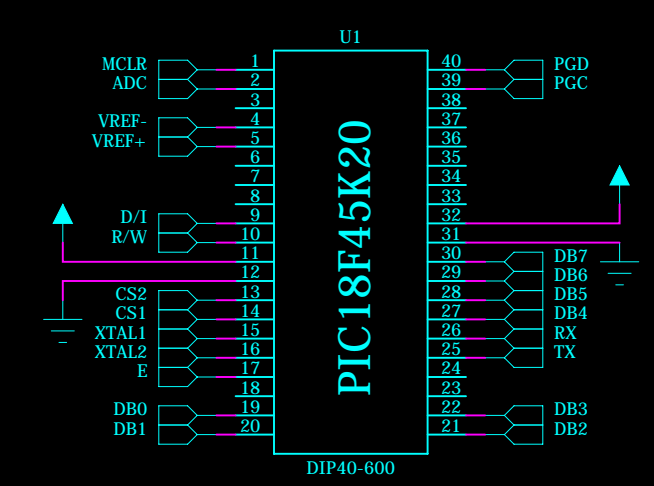
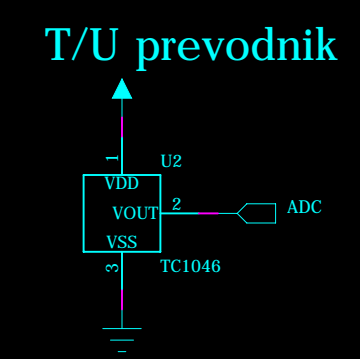
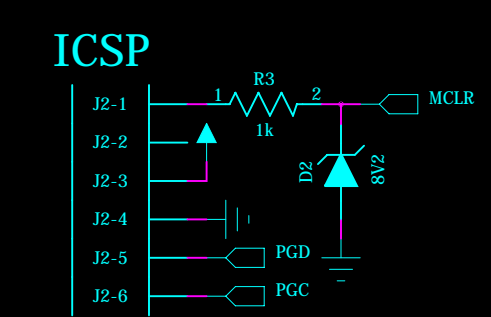
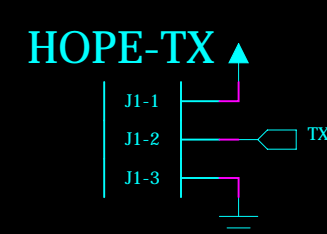
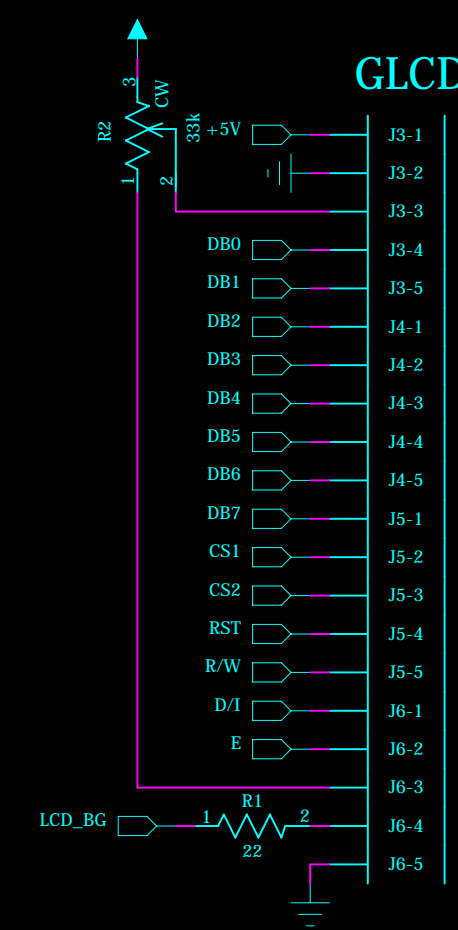
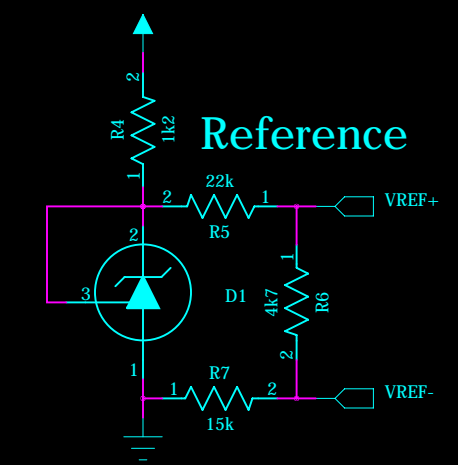
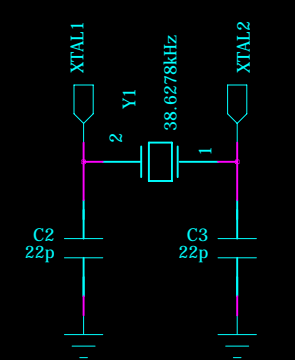
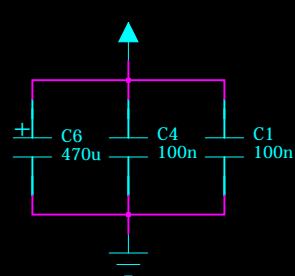
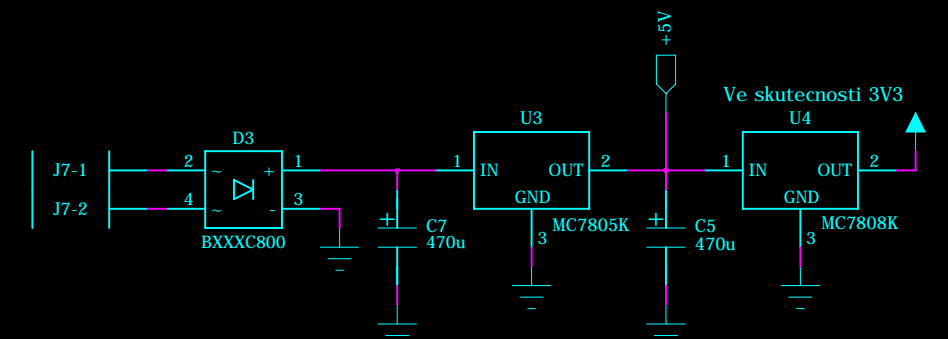
4

3

2

1

REVISION RECORD			
LTR	ECO NO:	APPROVED:	DATE:



TODO: tlacitka, COM, spocitat delic reference

COMPANY:		Raptor Inc.		
TITLE:		Regulator		
DRAWN:	DATED:	CODE:	SIZE:	DRAWING NO:
Raptor	23.02.2010	<Code>	B	1
CHECKED:	DATED:	SCALE: <Scale>	REV:	
<Checked By>	<Checked Date>		0	
QUALITY CONTROL:	DATED:	SHEET: 1 OF 1		
<QC By>	<QC Date>			
RELEASED:	DATED:			
<Released By>	<Release Date>			

D

C

B

A

D

C

B

A